



**New Order-or-Re-Order
with Revised Artwork**

Instructions:

1. Complete this form and fax it with your purchase order to 1-800-488-8007 or 1-317-656-5760.
2. *Send your camera-ready artwork with a copy of this completed form to marilyn_scaff@aearo.com or mail to:
**Aearo Company
Customer Service/Imprinting
8001 Woodland Drive
Indianapolis, IN 46278**

Lead Time:
New Artwork: 6-8 weeks from sample or proof approval
Repeat Orders: 4 weeks

**Re-Order
No Artwork Changes**

Instructions:

1. Complete this form and fax it with your purchase order to 1-800-488-8007 or 1-317-656-5760.

*To ensure high-quality imprinting, please submit only camera-ready artwork: Sharp, black & white images on glossy white paper, clear acetate or a high-resolution (at least 600 dpi) laser print out. Multi-color artwork requires individual color separations. Business cards and stationary are NOT camera-ready artwork and do NOT reproduce well. Electronic artwork files preferred.

Distributor's Name _____

Customer's Name _____ Date _____

Company _____ Purchase Order # _____

Address _____

City _____ State _____ Zip _____

Phone _____ Fax _____

STAMP INFORMATION:

Camera-ready artwork (jpeg preferred)*.

Please use in-house type style for my company name/slogan.

Type Style _____

Character Weight (Print Thickness)

Fine Medium Bold

Logo should not be large enough to block peripheral vision.

KX™

IMPRINTING ORDER FORM

Minimum Order: 500 Units

Product Code _____

Lens Color _____

Frame Color _____

Quantity to be Imprinted _____

Imprint On:

A. Sideshield:

Right

Left

Imprint Colors:

(See Color Chart. If selecting more than one color, please diagram imprint drawing at bottom.)

White

Blue

Black

Yellow

Red

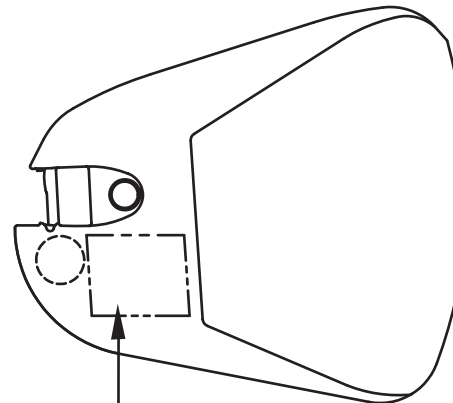
Green

Orange

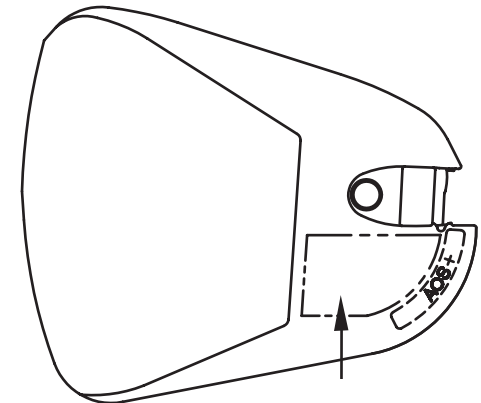
TEXT TO BE IMPRINTED:

(Please Print) _____

Diagrams are 100% of actual size. Imprints must not be larger than shown.



A. RIGHT SIDESHIELD



A. LEFT SIDESHIELD